

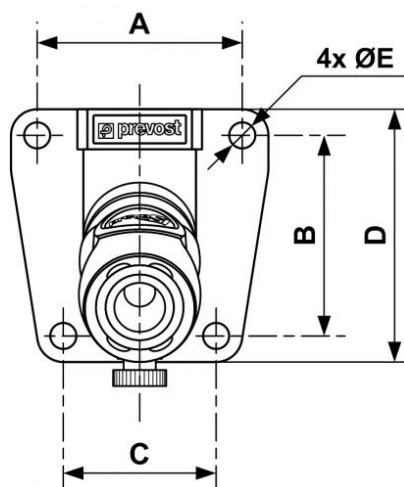
# Female thread single wall bracket - 1 coupler and drain - ISO 6150

## B Profile - ID passage 6 mm



<p><b><u>Inlet BSP female thread</u></b></p> <p>G 1/2</p>	<p><b><u>Outlet 1 coupling</u></b></p> <p>ISI 06</p>	<p><b><u>Technology</u></b></p> <p>"One push" safety system (avoids hose whip)</p>	<p><b><u>Operating pressure</u></b></p> <p>2 to 12 bar</p>
<p><b><u>Flow rate at 6 bar</u></b></p> <p>833 l/min (<math>\Delta P = 0,6</math> bar)</p>	<p><b><u>ID Passage</u></b></p> <p>6 mm</p>	<p><b><u>Temperature</u></b></p> <p>-15°C to +70°C</p>	<p><b><u>Construction</u></b></p> <p>Composite body</p>
<p><b><u>Highlight</u></b></p> <p>Anti-static Non scratch</p>			

Description		
Reference	Inlet BSP female thread	Outlet 1 coupling
<b>ISI 061103WK</b>	G 1/2	ISI 06



### Dimensions

Reference	A mm	B mm	C mm	D mm	E mm
<b>ISI 061103WK</b>	51	50	38	63	6.5