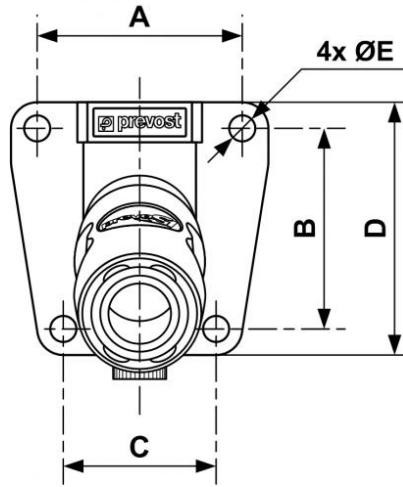


Female thread one port wall bracket - 1 coupler and drain - ISO 6150 B Profile - ID passage 8 mm



<p><u>Inlet BSPP female thread</u> G 1/2</p>	<p><u>Outlet 1 coupling</u> ISI 08</p>	<p><u>Technology</u> "One push" safety system (avoids hose whip)</p>	<p><u>Operating pressure</u> 2 to 12 bar</p>
<p><u>Flow rate at 6 bar</u> 2028 l/min ($\Delta P = 0,6$ bar)</p>	<p><u>ID Passage</u> 8 mm</p>	<p><u>Temperature</u> -15°C to +70°C</p>	<p><u>Construction</u> Composite body</p>
<p><u>Highlight</u> Anti-static Non scratch</p>			

Description		
Reference	Inlet BSPP female thread	Outlet 1 coupling
ISI 081103WK	G 1/2	ISI 08



Dimensions

Reference	A mm	B mm	C mm	D mm	E mm
ISI 081103WK	51	50	38	63	6.5