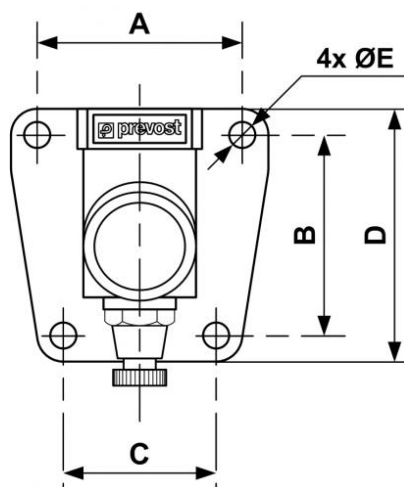


Female thread single wall bracket - Outlet 1 coupler and drain



<p><u>Inlet BSP female thread</u></p> <p>G 1/2</p>	<p><u>Outlet BSP female thread</u></p> <p>G 1/2</p>	<p><u>Operating pressure</u></p> <p>0 to 16 bar</p>	<p><u>Temperature</u></p> <p>-20°C to +80°C</p>
<p><u>Construction</u></p> <p>Aluminium alloy</p>	<p><u>Equipped with</u></p> <p>Manual drain</p>		

Description		
Reference	Inlet BSP female thread	Outlet BSP female thread
MF 103S1	G 1/2	G 1/2



Dimensions

Reference	A mm	B mm	C mm	D mm	E mm
MF 103S1	51	50	38	63	6.5