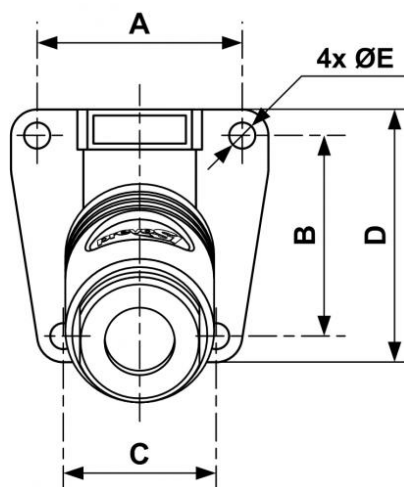


## Female thread one port wall bracket - 1 coupler and drain - Truflate Profile - ID passage 11 mm



<p><b><u>Inlet NPT female thread</u></b> 1/2" FNPT</p>	<p><b><u>Outlet 1 coupling</u></b> USI 11</p>	<p><b><u>Profile</u></b> Truflate</p>	<p><b><u>Technology</u></b> "One push" safety system (avoids hose whip)</p>
<p><b><u>Operating pressure</u></b> 2 to 16 bar</p>	<p><b><u>Flow rate at 6 bar</u></b> 2987 l/min (<math>\Delta P = 0,6</math> bar)</p>	<p><b><u>ID Passage</u></b> 11 mm</p>	<p><b><u>Temperature</u></b> -15°C to +70°C</p>
<p><b><u>Construction</u></b> Stainless steel</p>	<p><b><u>Highlight</u></b> Anti-static Excellent efficiency Harsh conditions</p>		

Description		
Reference	Inlet NPT female thread	Outlet 1 coupling
<b>USI 111203WK</b>	1/2" FNPT	USI 11



### Dimensions

Reference	A mm	B mm	C mm	D mm	E mm
<b>USI 111203WK</b>	51	50	38	63	6.5