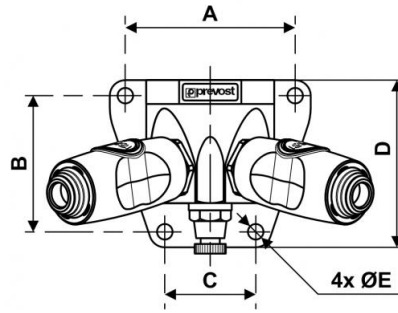


Female thread double port wall bracket - 2 couplers and drain - British Profile - ID passage 6 mm



<p><u>Inlet BSPP female thread</u> G 1/2</p>	<p><u>Outlet 2 couplings</u> BSI 06</p>	<p><u>Profile</u> British</p>	<p><u>Technology</u> "One push" safety system (avoids hose whip)</p>
<p><u>Operating pressure</u> 2 to 12 bar</p>	<p><u>Flow rate at 6 bar</u> 750 l/min ($\Delta P = 0,6$ bar)</p>	<p><u>ID Passage</u> 6 mm</p>	<p><u>Temperature</u> -15°C to +70°C</p>
<p><u>Construction</u> Composite body</p>	<p><u>Highlight</u> Anti-static Non scratch</p>		

Description		
Reference	Inlet BSPP female thread	Outlet 2 couplings
BSI 068103WK	G 1/2	BSI 06
BSI 068104WK	G 3/4	BSI 06



Dimensions

Reference	A mm	B mm	C mm	D mm	E mm
BSI 068103WK	71	57	38	70	6.5
BSI 068104WK	71	57	38	70	6.5