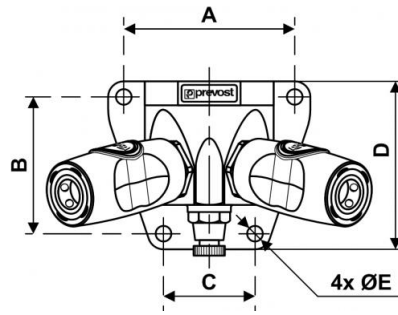


## Female thread double port wall bracket - 2 couplers and drain - ISO 6150 B Profile - ID passage 6 mm



<p><b><u>Inlet BSPP female thread</u></b> G 1/2</p>	<p><b><u>Outlet 2 couplings</u></b> ISI 06</p>	<p><b><u>Technology</u></b> "One push" safety system (avoids hose whip)</p>	<p><b><u>Operating pressure</u></b> 2 to 12 bar</p>
<p><b><u>Flow rate at 6 bar</u></b> 833 l/min (<math>\Delta P = 0,6</math> bar)</p>	<p><b><u>ID Passage</u></b> 6 mm</p>	<p><b><u>Temperature</u></b> -15°C to +70°C</p>	<p><b><u>Construction</u></b> Composite body</p>
<p><b><u>Highlight</u></b> Anti-static Non scratch</p>			

Description		
Reference	Inlet BSPP female thread	Outlet 2 couplings
ISI 068103WK	G 1/2	ISI 06
ISI 068104WK	G 3/4	ISI 06



### Dimensions

Reference	A mm	B mm	C mm	D mm	E mm
<b>ISI 068103WK</b>	71	57	38	70	6.5
<b>ISI 068104WK</b>	71	57	38	70	6.5