

## Female thread double wall bracket - Outlet 2 couplers and drain



**Inlet BSPP female thread**

G 1/2

**Outlet BSPP female thread**

G 1/2

**Operating pressure**

0 to 16 bar

**Temperature**

-20°C to +80°C

**Construction**

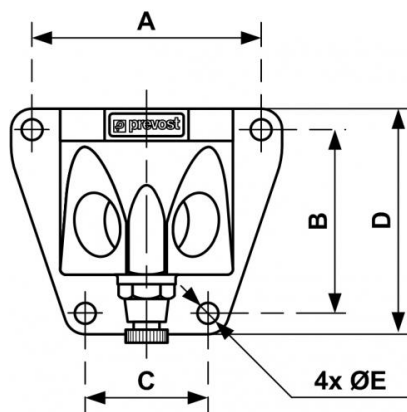
Aluminium alloy

**Equipped with**

Manual drain

### Description

| Reference       | Inlet BSPP female thread | Outlet BSPP female thread |
|-----------------|--------------------------|---------------------------|
| <b>MF 103S2</b> | G 1/2                    | G 1/2                     |
| <b>MF 104S2</b> | G 3/4                    | G 1/2                     |



### Dimensions

| Reference       | A mm | B mm | C mm | D mm | E mm |
|-----------------|------|------|------|------|------|
| <b>MF 103S2</b> | 71   | 57   | 38   | 70   | 6.5  |
| <b>MF 104S2</b> | 71   | 57   | 38   | 70   | 6.5  |