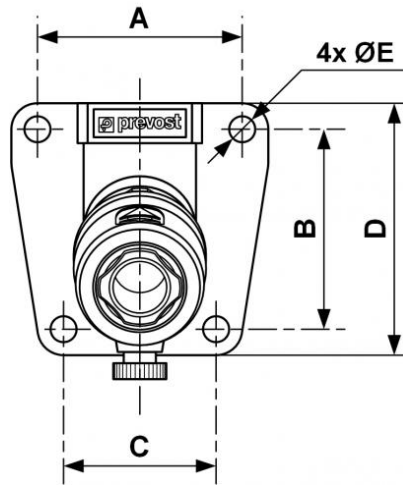


Female thread single wall bracket - 1 coupler and drain - Asia Profile - ID passage 7.5 mm



<p><u>BSPP female thread</u> G 1/2</p>	<p><u>Outlet 1 coupling</u> OSG 08</p>	<p><u>Profile</u> Asian</p>	<p><u>Technology</u> Safety (avoid hose whip)</p>
<p><u>Operating pressure</u> 2 to 12 bar</p>	<p><u>Flow rate at 6 bar</u> 1966 l/min ($\Delta P = 0,6$ bar)</p>	<p><u>ID Passage</u> 8 mm</p>	<p><u>Temperature</u> -15°C to +70°C</p>
<p><u>Construction</u> Composite body</p>	<p><u>Highlight</u> Non scratch</p>		

Description		
Reference	BSPP female thread	Outlet 1 coupling
OSG 081103WK	G 1/2	OSG 08



Dimensions

Reference	A mm	B mm	C mm	D mm	E mm
OSG 081103WK	51	50	38	63	6.5