

Female thread double port wall brackets - 2 couplers and drain - Asia Profile - ID passage 7.5 mm



BSPF female thread

G 1/2

Outlet 2 couplings

OSG 08

Profile

Asian

Technology

Safety (avoid hose whip)

Operating pressure

2 to 12 bar

Flow rate at 6 bar

1966 l/min ($\Delta P = 0,6$ bar)

ID Passage

8 mm

Temperature

-15°C to +70°C

Construction

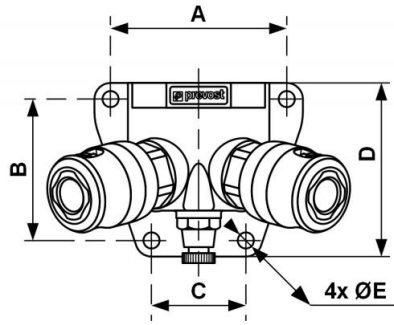
Composite body

Highlight

Non scratch

Description

Reference	BSPF female thread	Outlet 2 couplings
OSG 088103WK	G 1/2	OSG 08
OSG 088104WK	G 3/4	OSG 08



Dimensions

Reference	A mm	B mm	C mm	D mm	E mm
OSG 088103WK	71	57	38	70	6.5
OSG 088104WK	71	57	38	70	6.5