

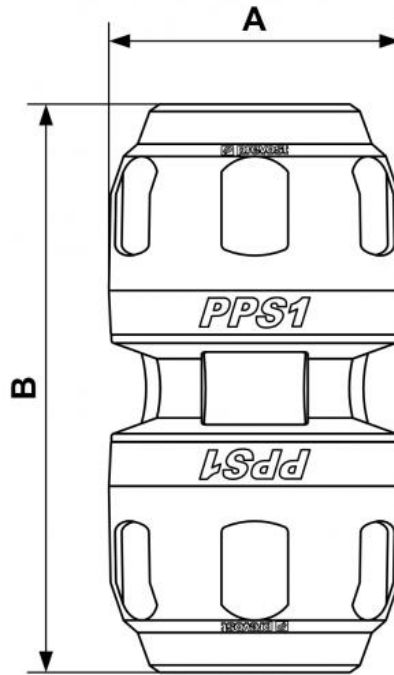
PPS1 UN - Aluminium union for pipe



<p><u>For pipe OD (mm)</u> (1) 16</p>	<p><u>Technology</u> PPS Grip Concept</p>	<p><u>Operating pressure</u> 0 to 16 bar</p>	<p><u>Vacuum capability</u> -0.98 bar (vacuum 98%)</p>
<p><u>Temperature</u> -20°C to +80°C</p>	<p><u>Construction</u> Pipe and fittings: alu.</p>	<p><u>Highlight</u> Scalable system</p>	<p><u>Meets standards</u> PED REACH</p>

Description	
Reference	For pipe OD (mm)
PPS1 UN16	(1) 16
PPS1 UN20	(1) 20
PPS1 UN25	(1) 25
PPS1 UN32	(1) 32
PPS1 UN40	(1) 40
PPS1 UN50	(1) 50
PPS1 UN63	(1) 63

Reference	For pipe OD (mm)
PPS1 UN80	(1) 80
PPS1 UN100	(2) 100
PPS1 UN160	(3) 160



Dimensions

Reference	A mm	B mm
PPS1 UN16	32	64
PPS1 UN20	38	78
PPS1 UN25	46	90
PPS1 UN32	57	106
PPS1 UN40	68	125
PPS1 UN50	84	152
PPS1 UN63	100	173
PPS1 UN80	121	205
PPS1 UN100	153.5	191.5
PPS1 UN160		