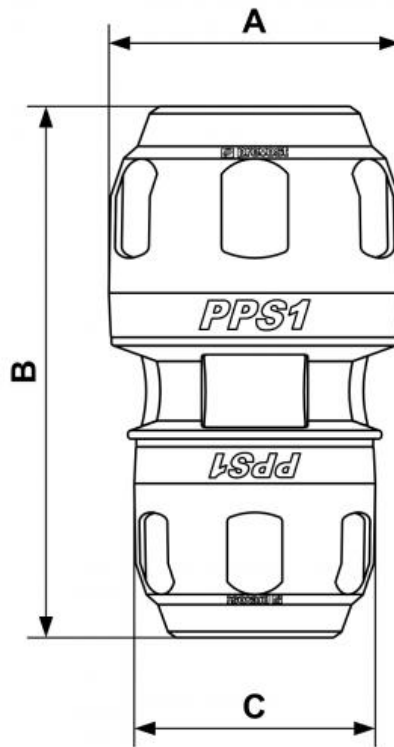


## PPS1 MR - Aluminium pipe reducing fitting



<p><b><u>For pipe OD (mm)</u></b> (1) 20</p>	<p><b><u>Technology</u></b> PPS Grip Concept</p>	<p><b><u>Operating pressure</u></b> 0 to 16 bar</p>	<p><b><u>Vacuum capability</u></b> -0.98 bar (vacuum 98%)</p>
<p><b><u>Temperature</u></b> -20°C to +80°C</p>	<p><b><u>Construction</u></b> Pipe and fittings: alu.</p>	<p><b><u>Highlight</u></b> Scalable system</p>	<p><b><u>Meets standards</u></b> PED REACH</p>

Description	
Reference	For pipe OD (mm)
PPS1 MR2520	(1) 20
PPS1 MR3225	(1) 25
PPS1 MR4032	(1) 32
PPS1 MR5040	(1) 40
PPS1 MR6350	(1) 50
PPS1 MR8063	(1) 63
PPS1 MR10080	(2) 80



### Dimensions

Reference	A mm	B mm	C mm
<b>PPS1 MR2520</b>	46	85	38
<b>PPS1 MR3225</b>	57	102	46
<b>PPS1 MR4032</b>	68	122	57
<b>PPS1 MR5040</b>	84	142	68
<b>PPS1 MR6350</b>	100	170	84
<b>PPS1 MR8063</b>	121	194	100
<b>PPS1 MR10080</b>	211	291	