

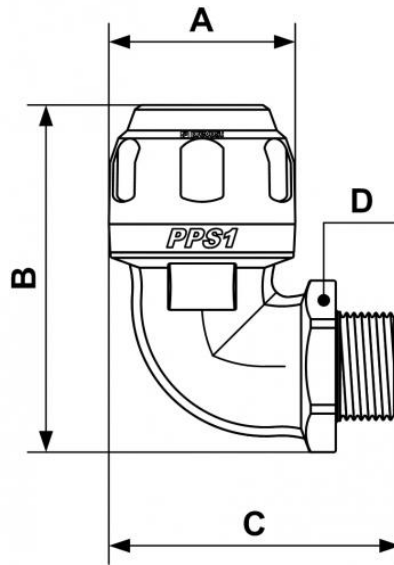
# PPS1 9CM - 90°aluminium tapered male thread elbow fitting for pipe



|   |   |   |   |
|---|---|---|---|
| <p><b><u>For pipe OD (mm)</u></b><br/>16</p>                      | <p><b><u>BSPT male thread</u></b><br/>R 3/8</p>     | <p><b><u>Technology</u></b><br/>PPS Grip Concept</p>          | <p><b><u>Operating pressure</u></b><br/>0 to 16 bar</p> |
| <p><b><u>Vacuum capability</u></b><br/>-0.98 bar (vacuum 98%)</p> | <p><b><u>Temperature</u></b><br/>-20°C to +80°C</p> | <p><b><u>Construction</u></b><br/>Pipe and fittings: alu.</p> | <p><b><u>Highlight</u></b><br/>Scalable system</p>      |
| <p><b><u>Meets standards</u></b><br/>PED REACH</p>                |   |   |   |

| Description  |                  |                  |
|--------------|------------------|------------------|
| Reference    | For pipe OD (mm) | BSPT male thread |
| PPS1 9CM1617 | 16               | R 3/8            |
| PPS1 9CM1612 | 16               | R 1/2            |
| PPS1 9CM2012 | 20               | R 1/2            |
| PPS1 9CM2512 | 25               | R 1/2            |

| Reference    | For pipe OD (mm) | BSPT male thread |
|--------------|------------------|------------------|
| PPS1 9CM2527 | 25               | R 3/4            |
| PPS1 9CM3234 | 32               | R 1              |
| PPS1 9CM4042 | 40               | R 1 1/4          |
| PPS1 9CM4049 | 40               | R 1 1/2          |



### Dimensions

| Reference    | A mm | B mm | C mm | D mm |
|--------------|------|------|------|------|
| PPS1 9CM1617 | 32   | 60   | 50   | 26   |
| PPS1 9CM1612 | 32   | 60   | 55   | 26   |
| PPS1 9CM2012 | 38   | 72   | 61   | 32   |
| PPS1 9CM2512 | 46   | 87   | 72   | 38   |
| PPS1 9CM2527 | 46   | 87   | 71   | 38   |
| PPS1 9CM3234 | 57   | 103  | 88   | 46   |
| PPS1 9CM4042 | 68   | 123  | 106  | 57   |
| PPS1 9CM4049 | 68   | 123  | 106  | 57   |