

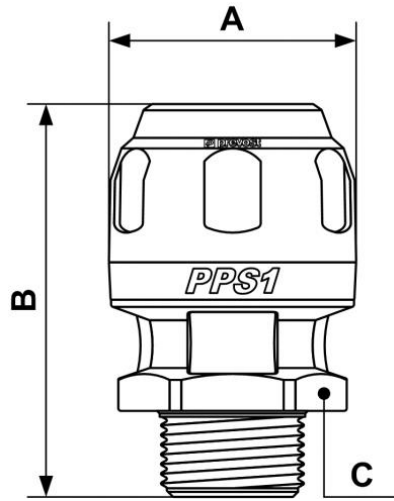
PPS1 MM - Aluminium tapered male thread straight fitting for pipe



<p><u>For pipe OD (mm)</u> 16</p>	<p><u>BSPT male thread</u> R 3/8</p>	<p><u>Technology</u> PPS Grip Concept</p>	<p><u>Operating pressure</u> 0 to 16 bar</p>
<p><u>Vacuum capability</u> -0.98 bar (vacuum 98%)</p>	<p><u>Temperature</u> -20°C to +80°C</p>	<p><u>Construction</u> Pipe and fittings: alu.</p>	<p><u>Highlight</u> Scalable system</p>
<p><u>Meets standards</u> PED REACH</p>			

Description		
Reference	For pipe OD (mm)	BSPT male thread
PPS1 MM1617	16	R 3/8
PPS1 MM1612	16	R 1/2
PPS1 MM2012	20	R 1/2
PPS1 MM2027	20	R 3/4

Reference	For pipe OD (mm)	BSPT male thread
PPS1 MM2512	25	R 1/2
PPS1 MM2527	25	R 3/4
PPS1 MM2534	25	R 1
PPS1 MM3234	32	R 1
PPS1 MM3242	32	R 1 1/4
PPS1 MM4042	40	R 1 1/4
PPS1 MM4049	40	R 1 1/2
PPS1 MM5049	50	R 1 1/2
PPS1 MM5060	50	R 2
PPS1 MM6360	63	R 2
PPS1 MM6376	63	R 2 1/2
PPS1 MM8076	80	R 2 1/2
PPS1 MM8090	80	R 3



Dimensions

Reference	A mm	B mm	C mm
PPS1 MM1617	32	52	26
PPS1 MM1612	32	58	26
PPS1 MM2012	38	65	32
PPS1 MM2027	38	67	32
PPS1 MM2512	46	73	38
PPS1 MM2527	46	74	38
PPS1 MM2534	46	78	38
PPS1 MM3234	57	88	46
PPS1 MM3242	57	89	46
PPS1 MM4042	68	106	57
PPS1 MM4049	68	106	57
PPS1 MM5049	84	120	72
PPS1 MM5060	84	124	72
PPS1 MM6360	100	146	90

Reference	A mm	B mm	C mm
PPS1 MM6376	100	152	90
PPS1 MM8076	121	173	110
PPS1 MM8090	121	175	110