

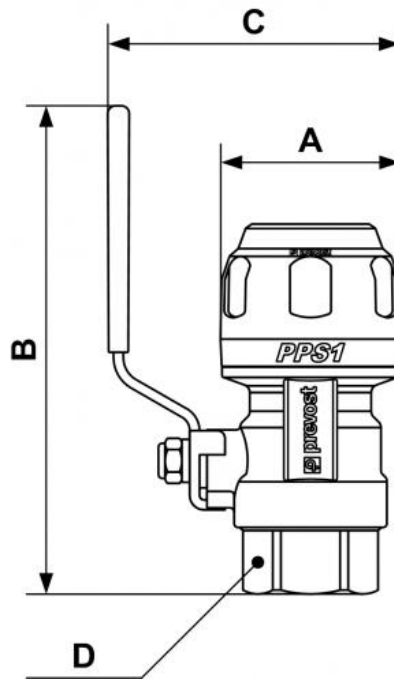
PPS1 RSIF - Parallel female thread valves with fittings for pipe



<p><u>For pipe OD (mm)</u> (1) 16</p>	<p><u>BSPP female thread</u> G 1/2</p>	<p><u>Technology</u> PPS Grip Concept</p>	<p><u>Operating pressure</u> 0 to 16 bar</p>
<p><u>Vacuum capability</u> -0.98 bar (vacuum 98%)</p>	<p><u>Temperature</u> -20°C to +80°C</p>	<p><u>Construction</u> Pipe and fittings: alu.</p>	<p><u>Highlight</u> Scalable system</p>
<p><u>Meets standards</u> PED REACH</p>			

Description		
Reference	For pipe OD (mm)	BSPP female thread
PPS1 RSIF1612	(1) 16	G 1/2
PPS1 RSIF2012	(1) 20	G 1/2
PPS1 RSIF2527	(1) 25	G 3/4
PPS1 RSIF3234	(1) 32	G 1
PPS1 RSIF4042	(2) 40	G 1 1/4
PPS1 RSIF5049	(2) 50	G 1 1/2
PPS1 RSIFAL6360	(2) 63	G 2
PPS1 RSIF8076	(2) 80	G 2 1/2

Reference	For pipe OD (mm)	BSPP female thread
PPS1 RSIFAL8076	(2) 80	G 2 1/2



Dimensions

Reference	A mm	B mm	C mm	D mm
PPS1 RSIF1612	32	121	64	25
PPS1 RSIF2012	38	121	66	25
PPS1 RSIF2527	46	125	75	31
PPS1 RSIF3234	57	151	85	40
PPS1 RSIF4042	68	157	99.1	49
PPS1 RSIF5049	84	204.5	122.5	55
PPS1 RSIFAL6360				
PPS1 RSIF8076	121	225	290	
PPS1 RSIFAL8076	121	225	290	