

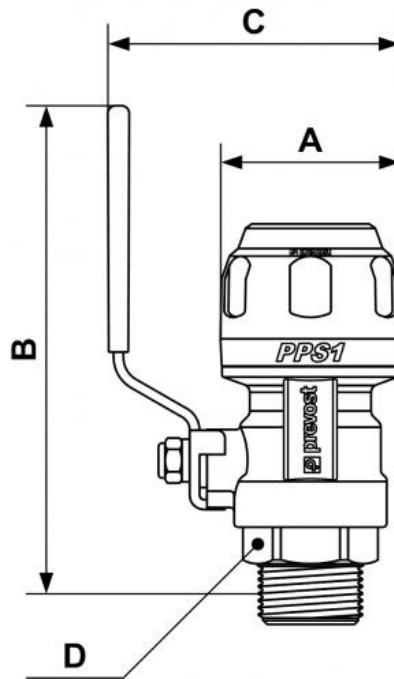
PPS1 RSIM - Parallel male thread valves with fittings for pipe



<p><u>For pipe OD (mm)</u> 16</p>	<p><u>BSPT male thread</u> R 1/2</p>	<p><u>Technology</u> PPS Grip Concept</p>	<p><u>Operating pressure</u> 0 to 16 bar</p>
<p><u>Vacuum capability</u> -0.98 bar (vacuum 98%)</p>	<p><u>Temperature</u> -20°C to +80°C</p>	<p><u>Construction</u> Pipe and fittings: alu.</p>	<p><u>Highlight</u> Scalable system</p>
<p><u>Meets standards</u> PED REACH</p>			

Description		
Reference	For pipe OD (mm)	BSPT male thread
PPS1 RSIM1612	16	R 1/2
PPS1 RSIM2012	20	R 1/2
PPS1 RSIM2527	25	R 3/4
PPS1 RSIM3234	32	R 1
PPS1 RSIM4042	40	R 1 1/4

Reference	For pipe OD (mm)	BSPT male thread
PPS1 RSIM5049	50	R 1 1/2



Dimensions

Reference	A mm	B mm	C mm	D mm
PPS1 RSIM1612	32	130	64	24
PPS1 RSIM2012	38	130	66	24
PPS1 RSIM2527	46	133	75	27
PPS1 RSIM3234	57	160	85	36
PPS1 RSIM4042	68	168.5	99.1	47
PPS1 RSIM5049	84	215	122.5	50