

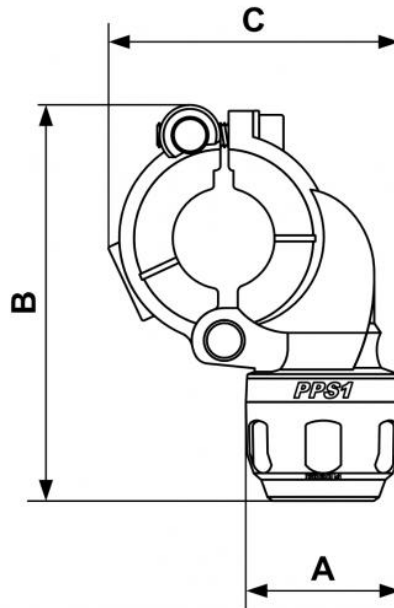
## PPS1 BP - Aluminium tapping flange for pipe



<b><u>For pipe OD (mm)</u></b> (1) 16	<b><u>Technology</u></b> PPS Grip Concept	<b><u>Operating pressure</u></b> 0 to 16 bar	<b><u>Vacuum capability</u></b> -0.98 bar (vacuum 98%)
<b><u>Temperature</u></b> -20°C to +80°C	<b><u>Construction</u></b> Pipe and fittings: alu.	<b><u>Highlight</u></b> Scalable system	<b><u>Meets standards</u></b> PED REACH

Description	
Reference	For pipe OD (mm)
PPS1 BP2516	(1) 16
PPS1 BP2520	(1) 20
PPS1 BP3216	(1) 16
PPS1 BP3220	(1) 20
PPS1 BP4016	(1) 16
PPS1 BP4020	(1) 20
PPS1 BP4025	(1) 25
PPS1 BP5016	(1) 16
PPS1 BP5020	(1) 20
PPS1 BP5025	(1) 25

Reference	For pipe OD (mm)
<b>PPS1 BP6320</b>	(1) 20
<b>PPS1 BP6325</b>	(1) 25
<b>PPS1 BP6332</b>	(1) 32
<b>PPS1 BP8020</b>	(1) 20
<b>PPS1 BP8025</b>	(1) 25
<b>PPS1 BP8032</b>	(2) 32
<b>PPS1 BP10025</b>	(2) 25
<b>PPS1 BP10032</b>	(2) 32



### Dimensions

Reference	A mm	B mm	C mm
PPS1 BP2516	32	94	70
PPS1 BP2520	38	98	72
PPS1 BP3216	32	94	70
PPS1 BP3220	38	98	72
PPS1 BP4016	32	122	102
PPS1 BP4020	38	127	102
PPS1 BP4025	46	130	103
PPS1 BP5016	32	122	102
PPS1 BP5020	38	127	102
PPS1 BP5025	46	130	103
PPS1 BP6320	38	163	147
PPS1 BP6325	46	167	147

Reference	A mm	B mm	C mm
PPS1 BP6332	57	165	147
PPS1 BP8020	38	163	147
PPS1 BP8025	46	167	147
PPS1 BP8032	57	165	147
PPS1 BP10025	200	159	
PPS1 BP10032	215	159	