

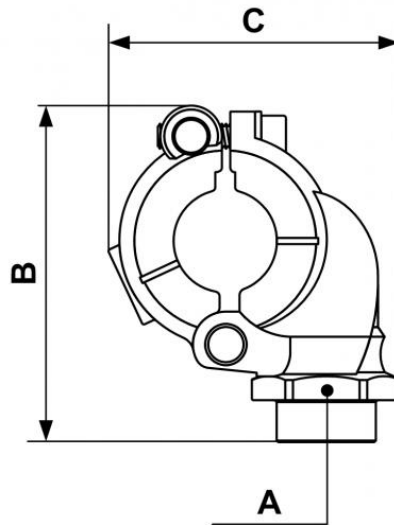
PPS1 BT - Aluminium female thread tapping flange



<p><u>For pipe OD (mm)</u> 25</p>	<p><u>BSPP female thread</u> G 3/8</p>	<p><u>Technology</u> PPS Grip Concept</p>	<p><u>Operating pressure</u> 0 to 16 bar</p>
<p><u>Vacuum capability</u> -0.98 bar (vacuum 98%)</p>	<p><u>Temperature</u> -20°C to +80°C</p>	<p><u>Construction</u> Pipe and fittings: alu.</p>	<p><u>Highlight</u> Scalable system</p>
<p><u>Meets standards</u> PED REACH</p>			

Description		
Reference	For pipe OD (mm)	BSPP female thread
PPS1 BT2517	25	G 3/8
PPS1 BT2512	25	G 1/2
PPS1 BT3212	32	G 1/2
PPS1 BT3227	32	G 3/4
PPS1 BT4012	40	G 1/2

Reference	For pipe OD (mm)	BSPP female thread
PPS1 BT4027	40	G 3/4
PPS1 BT4034	40	G 1
PPS1 BT5012	50	G 1/2
PPS1 BT5027	50	G 3/4
PPS1 BT5034	50	G 1
PPS1 BT6312	63	G 1/2
PPS1 BT6327	63	G 3/4
PPS1 BT6334	63	G 1
PPS1 BT8012	80	G 1/2
PPS1 BT8027	80	G 3/4
PPS1 BT8034	80	G 1



Dimensions

Reference	A mm	B mm	C mm
PPS1 BT2517	32	82	70
PPS1 BT2512	32	82	70
PPS1 BT3212	32	82	70
PPS1 BT3227	32	84	70
PPS1 BT4012	44	110	102
PPS1 BT4027	44	110	102
PPS1 BT4034	44	110	102
PPS1 BT5012	44	110	102
PPS1 BT5027	44	110	102
PPS1 BT5034	44	110	102
PPS1 BT6312	57	161	147
PPS1 BT6327	57	161	147
PPS1 BT6334	57	162	147

Reference	A mm	B mm	C mm
PPS1 BT8012	57	161	147
PPS1 BT8027	57	161	147
PPS1 BT8034	57	162	147