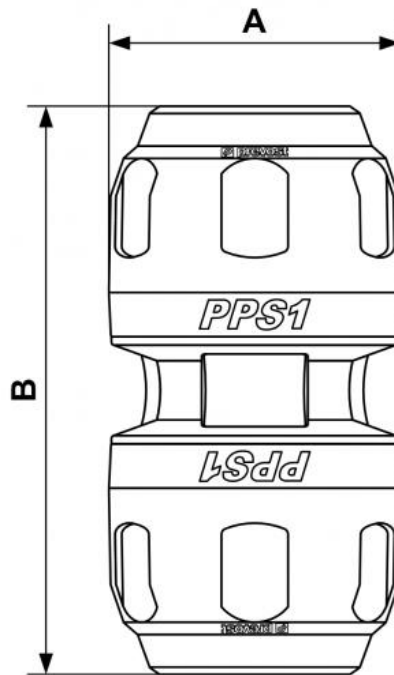


## PPS1 UNS - Aluminium female sliding union for pipe



<b><u>For pipe OD (mm)</u></b> (1) 25	<b><u>Technology</u></b> PPS Grip Concept	<b><u>Operating pressure</u></b> 0 to 16 bar	<b><u>Vacuum capability</u></b> -0.98 bar (vacuum 98%)
<b><u>Temperature</u></b> -20°C to +80°C	<b><u>Construction</u></b> Pipe and fittings: alu.	<b><u>Highlight</u></b> Scalable system	<b><u>Meets standards</u></b> PED REACH

Description	
Reference	For pipe OD (mm)
PPS1 UNS25	(1) 25
PPS1 UNS32	(1) 32
PPS1 UNS40	(1) 40
PPS1 UNS50	(1) 50
PPS1 UNS63	(1) 63
PPS1 UNS80	(1) 80
PPS1 UNS100	(2) 100



### Dimensions

Reference	A mm	B mm
<b>PPS1 UNS25</b>	46	90
<b>PPS1 UNS32</b>	57	106
<b>PPS1 UNS40</b>	68	125
<b>PPS1 UNS50</b>	84	152
<b>PPS1 UNS63</b>	100	173
<b>PPS1 UNS80</b>	121	205
<b>PPS1 UNS100</b>	211	295