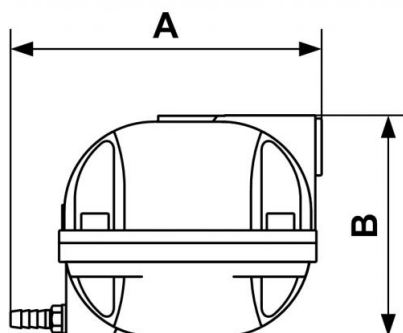


## Magnetic drain condensate draining



<p><b><u>Inlet BSPP female thread</u></b></p> <p>2 x G 1/2</p>	<p><b><u>Outlet BSPP female thread</u></b></p> <p>G 1/8</p>	<p><b><u>Condensates draining</u></b></p> <p>200 l/hour</p>	<p><b><u>Max operating pressure</u></b></p> <p>16 bar</p>
<p><b><u>Temperature</u></b></p> <p>+ 2°C to +50°C</p>	<p><b><u>Construction</u></b></p> <p>Body: aluminium</p>		

Description			
Reference	Inlet BSPP female thread	Outlet BSPP female thread	Condensates draining
<b>PMA 201</b>	2 x G 1/2	G 1/8	200 l/hour



### Dimensions

Reference	A mm	B mm
<b>PMA 201</b>	145	105