

## Parallel male thread coupler



**BSPM male thread**

G 1/4

**Technology**

Push button

**Operating pressure**

0 to 12 bar

**Flow rate at 6 bar**

750 l/min ( $\Delta P = 0,6$  bar)

**ID Passage**

6 mm

**Temperature**

-15°C to +70°C

**Construction**

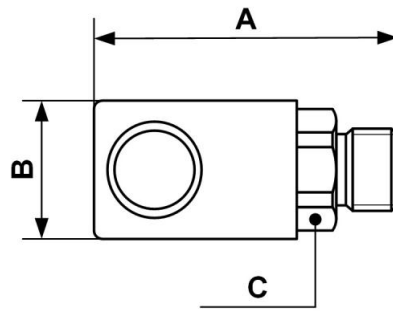
Treated steel

**Highlight**

Anti-static

### Description

Reference	BSPM male thread
<b>IRM 061151</b>	G 1/4
<b>IRM 061152</b>	G 3/8
<b>IRM 061153</b>	G 1/2



### Dimensions

Reference	A mm	B mm	C mm
<b>IRM 061151</b>	60.5	26	23
<b>IRM 061152</b>	60.5	26	23
<b>IRM 061153</b>	62.5	26	23