

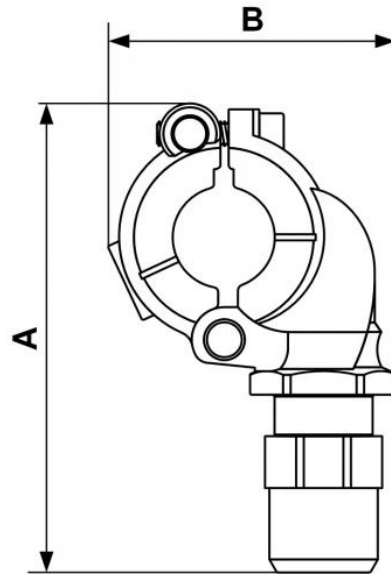
## PVR BTP - Tapping flange for tube



<b>Main network pipe OD (mm)</b> 25	<b>Downpipe OD (mm)</b> 20	<b>Max operating pressure</b> 13 bar at 23°C 7 bar at 50°C	<b>Vacuum capability</b> -0.98 bar (vacuum 98%)
<b>Temperature</b> -20°C to +50°C	<b>Construction</b> Pipe and fittings: PVC	<b>Meets standards</b> PED REACH	

Description		
Reference	Main network pipe OD (mm)	Downpipe OD (mm)
PVR BTP2520	25	20
PVR BTP3220	32	20
PVR BTP4020	40	20
PVR BTP4025	40	25
PVR BTP5020	50	20

Reference	Main network pipe OD (mm)	Downpipe OD (mm)
<b>PVR BTP5025</b>	50	25
<b>PVR BTP6320</b>	63	20
<b>PVR BTP6325</b>	63	25
<b>PVR BTP6332</b>	63	32



### Dimensions

Reference	A mm	B mm
<b>PVR BTP2520</b>	110	70
<b>PVR BTP3220</b>	110	70
<b>PVR BTP4020</b>	121	83
<b>PVR BTP4025</b>	121	87
<b>PVR BTP5020</b>	150	105
<b>PVR BTP5025</b>	150	105
<b>PVR BTP6320</b>	150	111
<b>PVR BTP6325</b>	150	111
<b>PVR BTP6332</b>	150	111