

Capped PVC hose tail adaptor



Diameter (mm)

6 x 12

ID Passage

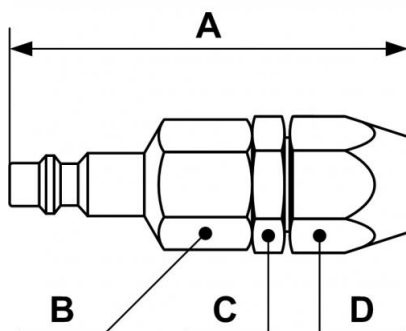
6 mm

Construction

Treated steel Corrosion-proof treatment

Description

Reference	Diameter (mm)
IRP 066806CO	6 x 12
IRP 066808CO	8 x 14
IRP 066809CO	9 x 15
IRP 066810CO	10 x 16



Dimensions

Reference	A mm	B mm	C mm	D mm
IRP 066806CO	76	17	17	19
IRP 066808CO	79	17	22	24
IRP 066809CO	79	17	22	24
IRP 066810CO	79	17	22	24