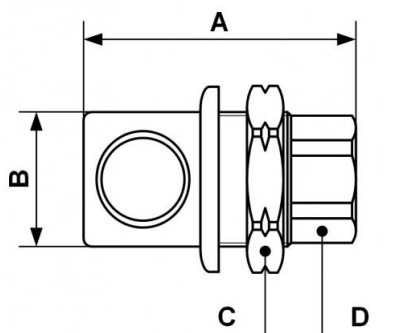


Bulkhead coupler



<p><u>BSPF female thread</u></p> <p>G 1/4</p>	<p><u>Drill Ø (mm)</u></p> <p>26</p>	<p><u>Panel depth (mm)</u></p> <p>11</p>	<p><u>Technology</u></p> <p>Push button</p>
<p><u>Operating pressure</u></p> <p>0 to 12 bar</p>	<p><u>Flow rate at 6 bar</u></p> <p>750 l/min ($\Delta P = 0,6$ bar)</p>	<p><u>ID Passage</u></p> <p>6 mm</p>	<p><u>Temperature</u></p> <p>-15°C to +70°C</p>
<p><u>Construction</u></p> <p>Treated steel</p>	<p><u>Highlight</u></p> <p>Anti-static</p>		

Description			
Reference	BSPF female thread	Drill Ø (mm)	Panel depth (mm)
IRM 062101	G 1/4	26	11



Dimensions

Reference	A mm	B mm	C mm	D mm
IRM 062101	52.5	26	32	23