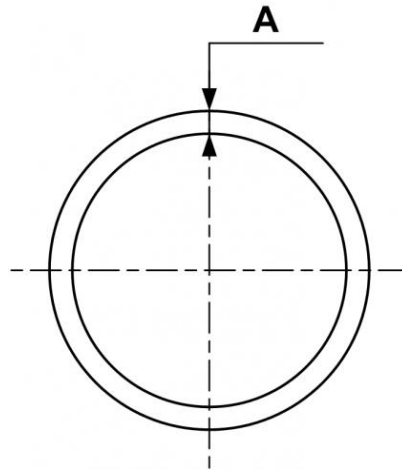


## PPS - Aluminium green pipe for nitrogen



<p><b><u>Pipe OD (mm)</u></b> 20</p>	<p><b><u>Length (m)</u></b> 5.5</p>	<p><b><u>Technology</u></b> PPS Grip Concept</p>	<p><b><u>Operating pressure</u></b> 0 to 16 bar</p>
<p><b><u>Vacuum capability</u></b> -0.98 bar (vacuum 98%)</p>	<p><b><u>Temperature</u></b> -20°C to +80°C</p>	<p><b><u>Construction</u></b> Pipe and fittings: alu.</p>	<p><b><u>Highlight</u></b> Scalable system</p>
<p><b><u>Meets standards</u></b> PED REACH</p>			

Description		
Reference	Pipe OD (mm)	Length (m)
<b>PPS VTU2055</b>	20	5.5
<b>PPS VTU2555</b>	25	5.5
<b>PPS VTU5055</b>	50	5.5



Dimensions	
Reference	A mm
<b>PPS VTU2055</b>	1.3
<b>PPS VTU2555</b>	1.4
<b>PPS VTU5055</b>	