

Female thread wall bracket - Couplers and drain - ISO 6150 C profile - ID passage 6 mm



Inlet BSPP female thread

G 3/4

Construction

Aluminium

Outlet

4 x CSI 06

Operating pressure

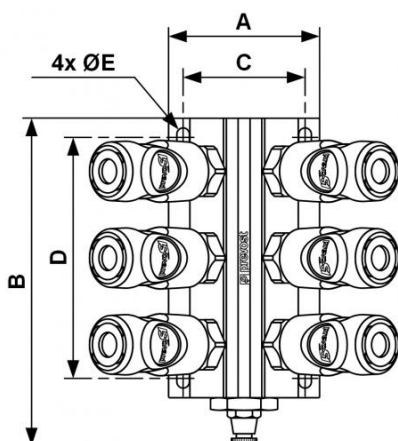
0 to 16 bar

Temperature

- 20°C to + 80°C

Description

Reference	Inlet BSPP female thread	Outlet
MF 104S4CS	G 3/4	4 x CSI 06



Dimensions

Reference	A mm	B mm	C mm	D mm	E mm
MF 104S4CS	78	135	63	80	6.5