

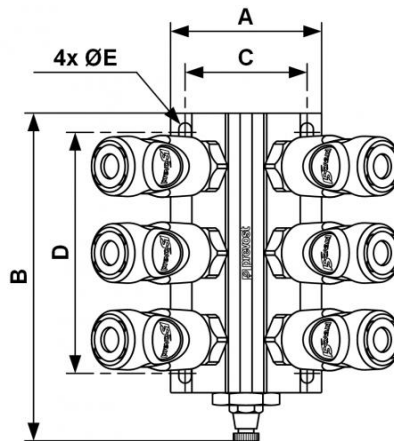
Female thread wall bracket - Couplers and drain - European profile

- ID passage 7.4 mm



<p><u>Inlet BSPP female thread</u></p> <p>G 3/4</p>	<p><u>Outlet</u></p> <p>4 x ESI 07</p>	<p><u>Operating pressure</u></p> <p>0 to 16 bar</p>	<p><u>Temperature</u></p> <p>- 20°C to + 80°C</p>
<p><u>Construction</u></p> <p>Aluminium</p>			

Description		
Reference	Inlet BSPP female thread	Outlet
MF 104S4ES	G 3/4	4 x ESI 07
MF 104S6ES	G 3/4	6 x ESI 07
MF 104S8ES	G 3/4	8 x ESI 07
MF 104S10ES	G 3/4	10 x ESI 07



Dimensions

Reference	A mm	B mm	C mm	D mm	E mm
MF 104S4ES	78	135	63	80	6.5
MF 104S6ES	78	180	63	125	6.5
MF 104S8ES	78	225	63	170	6.5
MF 104S10ES	78	215	63	215	6.5