

Female thread wall bracket - Couplers and drain - ISO 6150 B profile - ID passage 6 mm



**Inlet BSPP female
thread**

G 3/4

Construction

Aluminium

Outlet

4 x ISI 06

Operating pressure

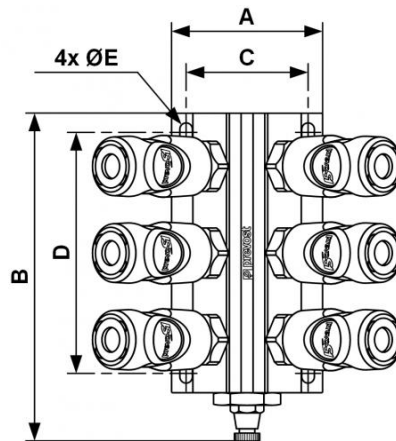
0 to 16 bar

Temperature

- 20°C to + 80°C

Description

Reference	Inlet BSPP female thread	Outlet
MF 104S4IS	G 3/4	4 x ISI 06
MF 104S6IS	G 3/4	6 x ISI 06
MF 104S8IS	G 3/4	8 x ISI 06
MF 104S10IS	G 3/4	10 x ISI 06



Dimensions

Reference	A mm	B mm	C mm	D mm	E mm
MF 104S4IS	78	135	63	80	6.5
MF 104S6IS	78	180	63	125	6.5
MF 104S8IS	78	225	63	170	6.5
MF 104S10IS	78	270	63	215	6.5