

Female thread wall bracket - Couplers and drain - TRUFLATE profile - ID passage 6 mm



**Inlet NPT female
thread**

3/4" FNPT

Construction

Aluminium

Outlet

4 x USI 06

Operating pressure

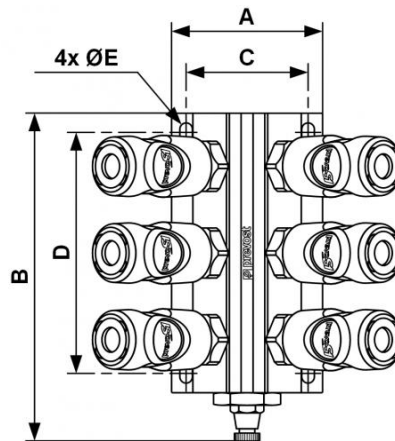
0 to 16 bar

Temperature

- 20°C to + 80°C

Description

Reference	Inlet NPT female thread	Outlet
MF 204S4US	3/4" FNPT	4 x USI 06
MF 204S6US	3/4" FNPT	6 x USI 06
MF 204S8US	3/4" FNPT	8 x USI 06
MF 204S10US	3/4" FNPT	10 x USI 06



Dimensions

Reference	A mm	B mm	C mm	D mm	E mm
MF 204S4US	78	135	63	80	6.5
MF 204S6US	78	180	63	125	6.5
MF 204S8US	78	225	63	170	6.5
MF 204S10US	78	270	63	215	6.5