

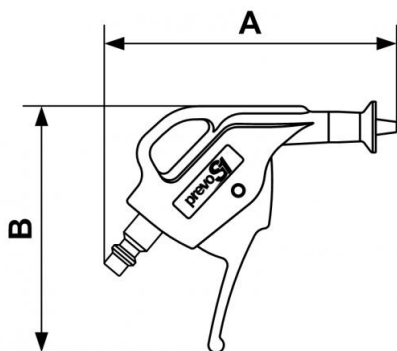
prevoS1 blow gun with protective air curtain



Blowing force (at 6 bar (g)) 131	Dynamic pressure (at 10 mm at 6 bar (bar)) 2.1	Air consumption (at 6 bar (Nm3/h)) 24.8	Sound level (at 6 bar (dBA)) 87
Max operating pressure 12 bar	Temperature -15°C to +70°C	Construction Polyamide composite body	Highlight Compact
Connection Built-in adaptor			

Description				
Reference	Blowing force (at 6 bar (g))	Dynamic pressure (at 10 mm at 6 bar (bar))	Air consumption (at 6 bar (Nm3/h))	Sound level (at 6 bar (dBA))

IBG 06ECR	131	2.1	24.8	87
-----------	-----	-----	------	----



Dimensions

Reference	A mm	B mm
IBG 06ECR	115	97