

## prevoS1 blow gun with composite nozzle



**Blowing force (at 6 bar (g))**

286

**Dynamic pressure (at 10 mm at 6 bar (bar))**

2.5

**Air consumption (at 6 bar (Nm<sup>3</sup>/h))**

14

**Sound level (at 6 bar (dBA))**

85

**Max operating pressure**

12 bar

**Temperature**

-15°C to +70°C

**Construction**

Polyamide composite body

**Highlight**

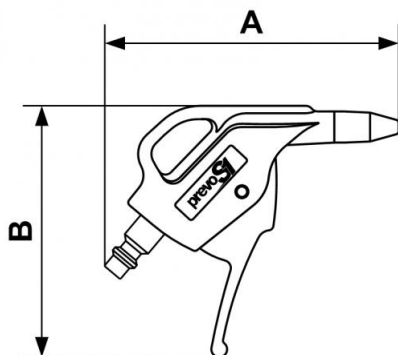
Compact

**Connection**

Built-in adaptor

### Description

Reference	Blowing force (at 6 bar (g))	Dynamic pressure (at 10 mm at 6 bar (bar))	Air consumption (at 6 bar (Nm <sup>3</sup> /h))	Sound level (at 6 bar (dBA))
<b>IBG 06PRE</b>	286	2.5	14	85



### Dimensions

Reference	A mm	B mm
<b>IBG 06PRE</b>	113	97