

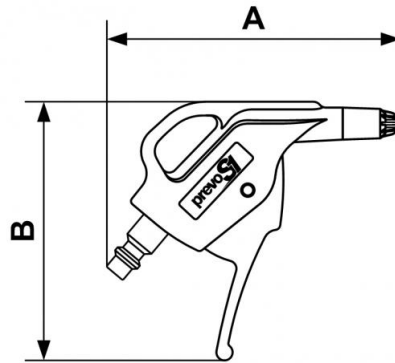
prevoS1 blow gun with silent nozzle



Blowing force (at 6 bar (g))	Dynamic pressure (at 10 mm at 6 bar (bar))	Air consumption (at 6 bar (Nm3/h))	Sound level (at 6 bar (dBA))
165	0.2	9.4	74
Max operating pressure	Temperature	Construction	Highlight
12 bar	-15°C to +70°C	Polyamide composite body	Compact
Connection			
Built-in adaptor			

Description				
Reference	Blowing force (at 6 bar (g))	Dynamic pressure (at 10 mm at 6 bar (bar))	Air consumption (at 6 bar (Nm3/h))	Sound level (at 6 bar (dBA))

IBG 06SIL	165	0.2	9.4	74
-----------	-----	-----	-----	----



Dimensions

Reference	A mm	B mm
IBG 06SIL	110	97