

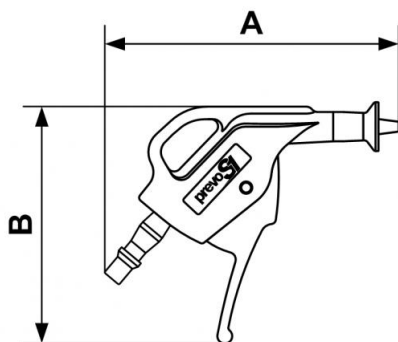
prevoS1 blow gun with protective air curtain



<p>Blowing force (at 6 bar (g))</p> <p>131</p>	<p>Dynamic pressure (at 10 mm at 6 bar (bar))</p> <p>2.1</p>	<p>Air consumption (at 6 bar (Nm3/h))</p> <p>24.8</p>	<p>Sound level (at 6 bar (dBA))</p> <p>87</p>
<p>Profile</p> <p>British</p>	<p>Max operating pressure</p> <p>12 bar</p>	<p>Temperature</p> <p>-15°C to +70°C</p>	<p>Construction</p> <p>Polyamide composite body</p>
<p>Highlight</p> <p>Compact</p>	<p>Connection</p> <p>Built-in adaptor</p>		

Description

Reference	Blowing force (at 6 bar (g))	Dynamic pressure (at 10 mm at 6 bar (bar))	Air consumption (at 6 bar (Nm ³ /h))	Sound level (at 6 bar (dBA))
BBG 06ECR	131	2.1	24.8	87



Dimensions

Reference	A mm	B mm
BBG 06ECR	120	97