

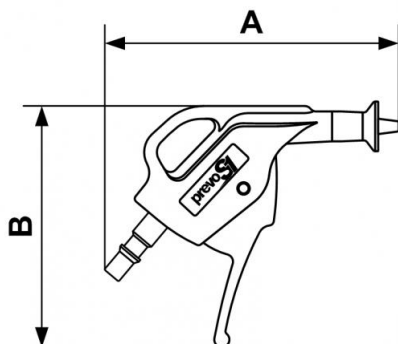
prevoS1 blow gun with protective air curtain



<p><u>Blowing force (at 6 bar (g))</u></p> <p>131</p>	<p><u>Dynamic pressure (at 10 mm at 6 bar (bar))</u></p> <p>2.1</p>	<p><u>Air consumption (at 6 bar (Nm3/h))</u></p> <p>24.8</p>	<p><u>Sound level (at 6 bar (dBA))</u></p> <p>87</p>
<p><u>Max operating pressure</u></p> <p>12 bar</p>	<p><u>Temperature</u></p> <p>-15°C to +70°C</p>	<p><u>Construction</u></p> <p>Polyamide composite body</p>	<p><u>Highlight</u></p> <p>Compact</p>
<p><u>Connection</u></p> <p>Built-in adaptor</p>			

Description

Reference	Blowing force (at 6 bar (g))	Dynamic pressure (at 10 mm at 6 bar (bar))	Air consumption (at 6 bar (Nm ³ /h))	Sound level (at 6 bar (dBA))
CBG 06ECR	131	2.1	24.8	87



Dimensions

Reference	A mm	B mm
CBG 06ECR	118	97