

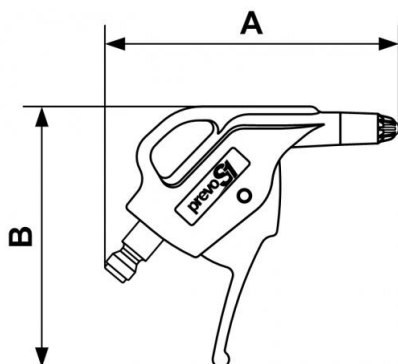
prevoS1 blow gun with silent nozzle



<p>Blowing force (at 6 bar (g))</p> <hr/> <p>165</p>	<p>Dynamic pressure (at 10 mm at 6 bar (bar))</p> <hr/> <p>0.2</p>	<p>Air consumption (at 6 bar (Nm3/h))</p> <hr/> <p>9.4</p>	<p>Sound level (at 6 bar (dBA))</p> <hr/> <p>74</p>
<p>Max operating pressure</p> <hr/> <p>12 bar</p>	<p>Temperature</p> <hr/> <p>-15°C to +70°C</p>	<p>Construction</p> <hr/> <p>Polyamide composite body</p>	<p>Highlight</p> <hr/> <p>Compact</p>
<p>Connection</p> <hr/> <p>Built-in adaptor</p>			

Description

Reference	Blowing force (at 6 bar (g))	Dynamic pressure (at 10 mm at 6 bar (bar))	Air consumption (at 6 bar (Nm ³ /h))	Sound level (at 6 bar (dBA))
UBG 06SIL	165	0.2	9.4	74



Dimensions

Reference	A mm	B mm
UBG 06SIL	109	97