

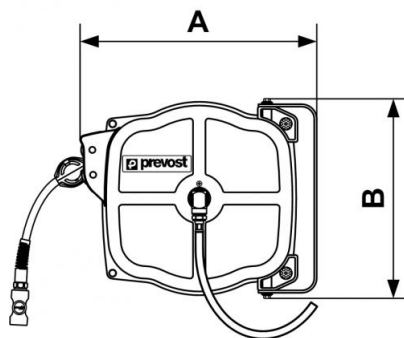
## DPF series - Hose reel w/ safety retraction - Industrial type - anti-static polyurethane hose - ATEX



<b><u>ID/OD (mm)</u></b> 10 x 14	<b><u>Length (m)</u></b> 12	<b><u>Coupler</u></b> ESI 07	<b><u>Flow rate (l/min)</u></b> 800
<b><u>Swivel inlet BSPP female thread</u></b> G 3/8	<b><u>Weight (kg)</u></b> 7.8	<b><u>Technology</u></b> Pipe locked with ratchet stop	<b><u>Max operating pressure</u></b> 12 bar
<b><u>Construction</u></b> Epoxy-coated steel case	<b><u>Connection</u></b> 1 m of inlet supply hose		

Description						
Reference	ID/OD (mm)	Length (m)	Coupler	Flow rate (l/min)	Swivel inlet BSPP female thread	Weight (kg)

<b>DPFEXB 1012ES</b>	10 x 14	12	ESI 07	800	G 3/8	7.8
<b>DPFEXB 1012IS</b>	10 x 14	12	ISI 06	800	G 3/8	7.8
<b>DPFEXB 1012CS</b>	10 x 14	12	CSI 06	800	G 3/8	7.8



### Dimensions

Reference	A mm	B mm
<b>DPFEXB 1012ES</b>	377	317
<b>DPFEXB 1012IS</b>	377	317
<b>DPFEXB 1012CS</b>	377	317