

## Tapered straight male stud - RID MR



**BSPT male thread**

R 1/8

**For tube OD (mm)**

4

**Operating pressure**

0 to 16 bar

**Temperature**

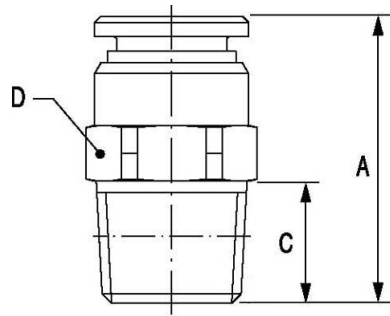
0°C to +120°C

**Construction**

Stainless steel AISI 316

### Description

Reference	BSPT male thread	For tube OD (mm)
<b>RID MR0400</b>	R 1/8	4
<b>RID MR0600</b>	R 1/8	6
<b>RID MR0601</b>	R 1/4	6
<b>RID MR0800</b>	R 1/8	8
<b>RID MR0801</b>	R 1/4	8
<b>RID MR0802</b>	R 3/8	8



### Dimensions

Reference	A mm	C mm	D mm
<b>RID MR0400</b>	20.5	7.5	10
<b>RID MR0600</b>	21.5	7.5	12
<b>RID MR0601</b>	24.5	11	14
<b>RID MR0800</b>	27	7.5	14
<b>RID MR0801</b>	26.5	11	14
<b>RID MR0802</b>	24.5	11.5	17