

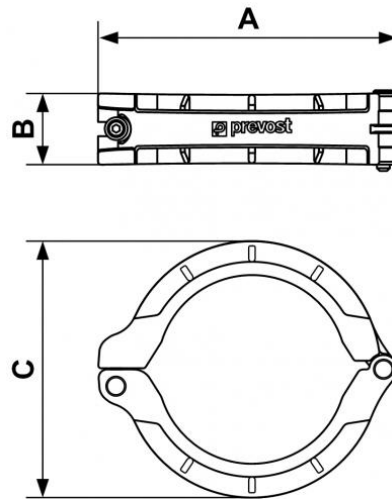
PPS1 CC CONCEPT - Connecting parts



<u>For tube OD (mm)</u> (1) 50	<u>Technology</u> PPS Grip Concept	<u>Operating pressure</u> 0 to 16 bar	<u>Vacuum capability</u> -0.98 bar (vacuum 98%)
<u>Temperature</u> -20°C to +80°C	<u>Construction</u> Pipe and fittings: alu.	<u>Highlight</u> Scalable system	<u>Meets standards</u> PED REACH

Description	
Reference	For tube OD (mm)
PPS1 CC50	(1) 50
PPS1 CC63	(1) 63
PPS1 CC80	(1) 80
PPS1 CC100	(1) 100
PPS1 CC160	(1) 160
PPS1 FL50	(2) 50
PPS1 FL63	(2) 63
PPS1 FL80	(2) 80
PPS1 FL100	(2) 100

Reference	For tube OD (mm)
PPS1 FL160	(2) 160



Dimensions

Reference	A mm	B mm	C mm
PPS1 CC50	134	35	109
PPS1 CC63	153	38	129
PPS1 CC80	181	48	151
PPS1 CC100	211	50	180
PPS1 CC160			
PPS1 FL50	165	16	
PPS1 FL63	185	16	
PPS1 FL80	200	18	
PPS1 FL100	229	18	
PPS1 FL160			