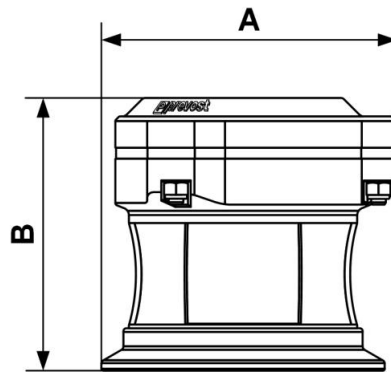


PPS1 UC



<p><u>For pipe OD</u> (1) 50</p>	<p><u>Technology</u> PPS Grip Concept</p>	<p><u>Operating pressure</u> 0 to 16 bar</p>	<p><u>Vacuum capability</u> -0.98 bar (vacuum 98%)</p>
<p><u>Temperature</u> -20°C to +80°C</p>	<p><u>Construction</u> Pipe and fittings: alu.</p>	<p><u>Highlight</u> Scalable system</p>	<p><u>Meets standards</u> PED REACH</p>

Description	
Reference	For pipe OD
PPS1 UC50	(1) 50
PPS1 UC63	(1) 63
PPS1 UC80	(1) 80
PPS1 UC100	(1) 100
PPS1 UC160	(2) 160



Dimensions

Reference	A mm	B mm
PPS1 UC50	84	105
PPS1 UC63	100	123
PPS1 UC80	125	143
PPS1 UC100	153.5	146.5
PPS1 UC160		