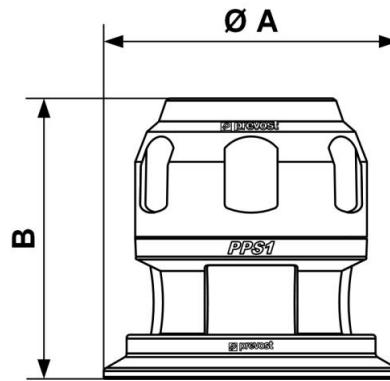


PPS1 UC - MRC - CC Reductions



<p><u>For pipe OD</u> (1) 63;50</p>	<p><u>Technology</u> PPS Grip Concept</p>	<p><u>Operating pressure</u> 0 to 16 bar</p>	<p><u>Vacuum capability</u> -0.98 bar (vacuum 98%)</p>
<p><u>Temperature</u> -20°C to +80°C</p>	<p><u>Construction</u> Pipe and fittings: alu.</p>	<p><u>Highlight</u> Scalable system</p>	<p><u>Meets standards</u> PED REACH</p>

Description	
Reference	For pipe OD
PPS1 UC6350	(1) 63;50
PPS1 UC8063	(1) 80;63
PPS1 UC10080	(1) 100;80
PPS1 MRCC160100	(2) 160;100



Dimensions

Reference	A mm	B mm
PPS1 UC6350	110	108
PPS1 UC8063	125	132
PPS1 UC10080	154	143
PPS1 MRCC160100		