

## Parallel male Micro straight fitting - RCD MG



### BSPB male thread

G 1/8

### For tube OD (mm)

6

### Operating pressure

0 to 10 bar

### Temperature

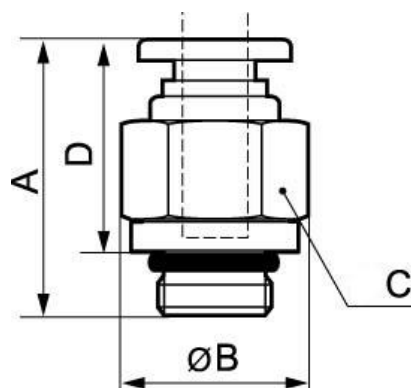
0°C to + 60°C

### Construction

Polymer and nickel-plated  
brass

## Description

Reference	BSPB male thread	For tube OD (mm)
<b>RLD MG0600</b>	G 1/8	6
<b>RLD MG0400</b>	G 1/8	4



### Dimensions

Reference	A mm	B mm	C mm	D mm
<b>RLD MG0600</b>	17.5	11.5	10	12.5
<b>RLD MG0400</b>	15	11.5	10	10