

Micro tee with parallel male centre leg - RLT CG



Metric male thread

M3

For tube OD (mm)

4

Operating pressure

0 to 10 bar

Temperature

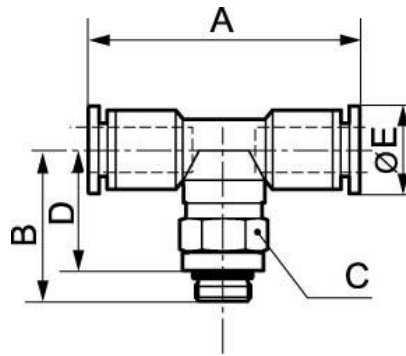
0°C to + 60°C

Construction

Polymer and nickel-plated
brass

Description

Reference	Metric male thread	For tube OD (mm)
RLT CG04M3	M3	4
RLT CG04M5	M5	4
RLT CG06M5	M5	6



Dimensions

Reference	A mm	B mm	C mm	D mm	E mm
RLT CG04M3	27.6	15.7	8	12.7	8.5
RLT CG04M5	27.6	16.2	8	12.7	8.5
RLT CG06M5	27	21.2	10	17.7	10.5