

## Micro tee with parallel male centre leg - RCT CG



**BSP male thread**

G 1/8

**For tube OD (mm)**

4

**Operating pressure**

0 to 10 bar

**Temperature**

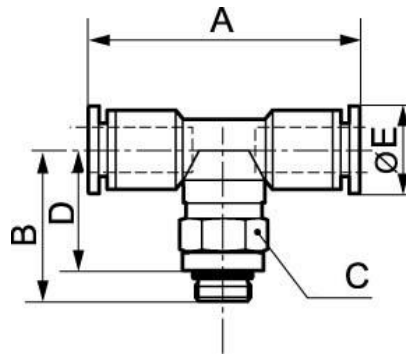
0°C to + 60°C

**Construction**

Polymer and nickel-plated  
brass

### Description

Reference	BSP male thread	For tube OD (mm)
<b>RLT CG0400</b>	G 1/8	4
<b>RLT CG0600</b>	G 1/8	6



### Dimensions

Reference	A mm	B mm	C mm	D mm	E mm
<b>RLT CG0400</b>	27.6	19.2	10	11.7	8.5
<b>RLT CG0600</b>	35	21.7	10	14.2	10.5