

Micro equal tee piece - RCT ET



For tube OD (mm)

4

Operating pressure

0 to 10 bar

Temperature

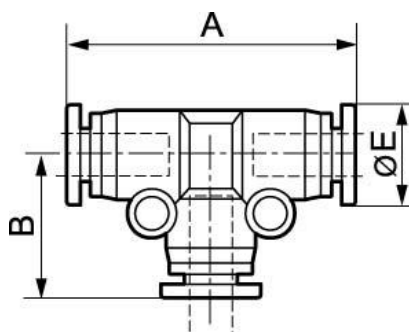
0°C to + 60°C

Construction

Polymer and nickel-plated
brass

Description

Reference	For tube OD (mm)
RLT ET0404	4
RLT ET0606	6



Dimensions

Reference	A mm	B mm	E mm
RLT ET0404	27.6	13.8	8.5
RLT ET0606	37	18.5	10.5