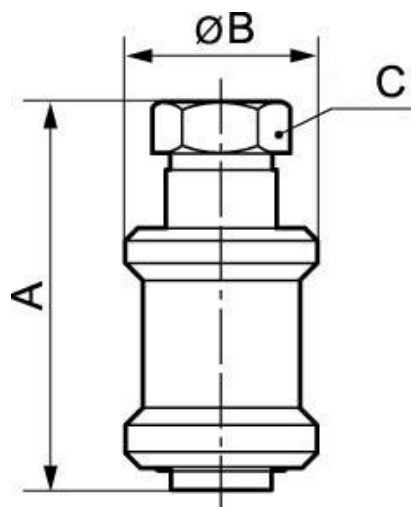


Parallel slide female valve PN 10



Description		
Reference	BSPP female thread	Max operating pressure
A17 14	G 1/4	10
A17 38	G 3/8	10



Dimensions

Reference	A mm	B mm	C mm
A17 14	58	22	19
A17 38	68	25.5	22