

Equal tapered male union



BSPT male thread

R 1/8

Operating pressure

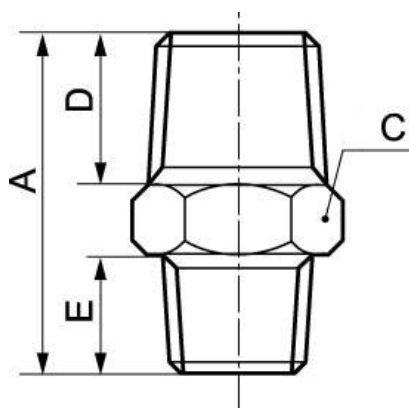
0 to 25 bar

Construction

Stainless steel 316

Description

Reference	BSPT male thread
A1 1818I	R 1/8
A1 1414I	R 1/4
A1 3838I	R 3/8
A1 1212I	R 1/2
A1 3434I	R 3/4



Dimensions

Reference	A mm	C mm	D mm	E mm
A1 1818I	28	13	11	11
A1 1414I	32	15	13	13
A1 3838I	37	19	14	14
A1 1212I	42	22	17	17
A1 3434I	41	28	17	17