

Non-return check valve



BSPP female thread

G 3/4

Max operating pressure (bar)

25

Temperature (°C)

-20 to +100

Construction

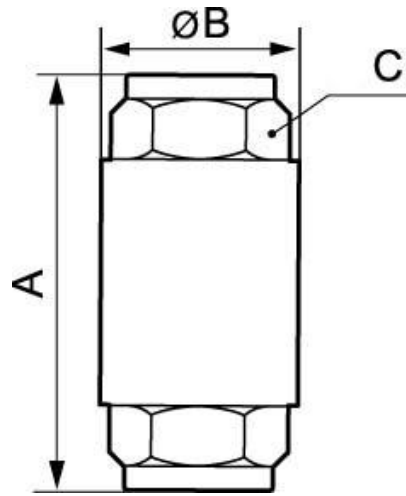
Brass body

Highlight

Network safety

Description

Reference	BSPP female thread	Max operating pressure (bar)	Temperature (°C)
A24 34	G 3/4	25	-20 to +100



Dimensions

Reference	A mm	B mm	C mm
A24 34	63.5	42	31