

Parallel male thread flat flow reducer (exhaust)



BSPB male thread

G 1/8

Max operating pressure

12 bar

Construction

Sintered bronze filter element excepted
partnr.PPP

Highlight

Lowering of sound level

Description

Reference

BSPB male thread

A26 18

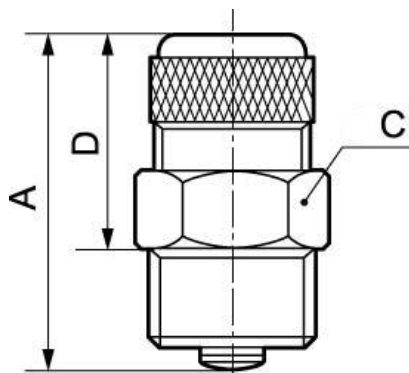
G 1/8

A26 14

G 1/4

A26 38

G 3/8



Dimensions

Reference	A mm	C mm	D mm
A26 18	22	12	14.5
A26 14	26	15	16.5
A26 38	29	22	18.5