

## Parallel male thread adaptor with valve



### ID Passage (mm)

6

### BSPP male thread

G 1/8

### Max operating

### pressure

16 bar

### Temperature

+15°C to +200°C

### Construction

Ø 6 - 9 - 12 mm : Brass, Ø  
16 mm : Stainless steel and  
chromium

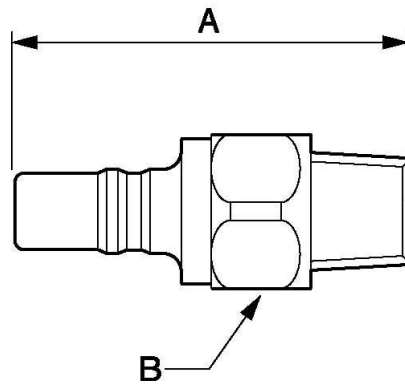
### Applications

Cooling circuits, cleaning,  
rinsing, food processing  
industry

## Description

Reference	ID Passage (mm)	BSPP male thread
<b>PREOL 067150</b>	6	G 1/8
<b>PREOL 067151</b>	6	G 1/4
<b>PREOL 097151</b>	9	G 1/4
<b>PREOL 097152</b>	9	G 3/8

Reference	ID Passage (mm)	BSPB male thread
<b>PREOL 097153</b>	9	G 1/2
<b>PREOL 127152</b>	12	G 3/8
<b>PREOL 127153</b>	12	G 1/2
<b>PREOL 127154</b>	12	G 3/4
<b>PREOL 167154</b>	16	G 3/4



### Dimensions

Reference	A mm	B mm
PREOL 067150	46	17
PREOL 067151	46	17
PREOL 097151	52	19
PREOL 097152	48	19
PREOL 097153	37	22
PREOL 127152	65	24
PREOL 127153	62	24
PREOL 127154	46	27
PREOL 167154	83	32