

## Male/Female extender - A5



### Male thread

R 1/8

### BSPP female thread

G 1/8

### Operating pressure

0 to 15 bar

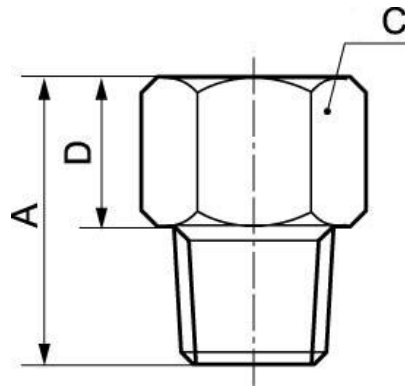
### Construction

Brass and nickel-plated  
brass

## Description

Reference	Male thread	BSPP female thread
<b>A5 1818</b>	R 1/8	G 1/8
<b>A5 1814</b>	R 1/8	G 1/4
<b>A5 1838</b>	R 1/8	G 3/8
<b>A5 1414</b>	R 1/4	G 1/4
<b>A5 1438</b>	R 1/4	G 3/8
<b>A5 1412</b>	R 1/4	G 1/2
<b>A5 3838</b>	R 3/8	G 3/8
<b>A5 3812</b>	R 3/8	G 1/2

Reference	Male thread	BSPP female thread
A5 3834	R 3/8	G 3/4
A5 1212	R 1/2	G 1/2
A5 1234	R 1/2	G 3/4
A5 1201	R 1/2	G 1
A5 3434	R 3/4	G 3/4
A5 3401	R 3/4	G 1
A5 3442	G 3/4	G 1 1/4
A5 0142	G 1	G 1 1/4
A5 4249	G 1 1/4	G 1 1/2



### Dimensions

Reference	A mm	C mm	D mm
<b>A5 1818</b>	20	14	12
<b>A5 1814</b>	22.5	17	14.5
<b>A5 1838</b>	22.5	22	14.5
<b>A5 1414</b>	25	17	14
<b>A5 1438</b>	28.5	22	17.5
<b>A5 1412</b>	29	24	18
<b>A5 3838</b>	28.5	22	17
<b>A5 3812</b>	32	24	20.5
<b>A5 3834</b>	27	32	17
<b>A5 1212</b>	34	24	20
<b>A5 1234</b>	35	32	21
<b>A5 1201</b>	30.5	38	18
<b>A5 3434</b>	30.5	32	17
<b>A5 3401</b>	31	38	17.5
<b>A5 3442</b>	27.5	45	17.5

Reference	A mm	C mm	D mm
<b>A5 0142</b>	28.5	46	16.5
<b>A5 4249</b>	33	51	19