

Parallel male/female swivel fitting - A35



BSPP male thread

G 1/2

BSPP female thread

G 1/2

Operating pressure

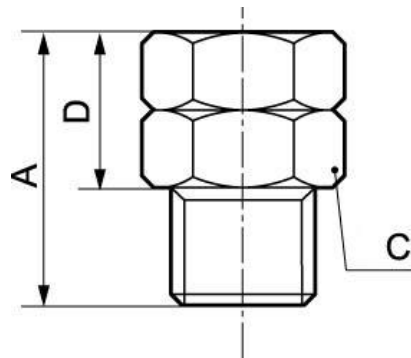
0 to 15 bar

Construction

Brass and nickel-plated
brass

Description

Reference	BSPP male thread	BSPP female thread
A35 1212	G 1/2	G 1/2
A35 1234	G 1/2	G 3/4



Dimensions

Reference	A mm	C mm	D mm
A35 1212	40	22	28
A35 1234	40	30	28